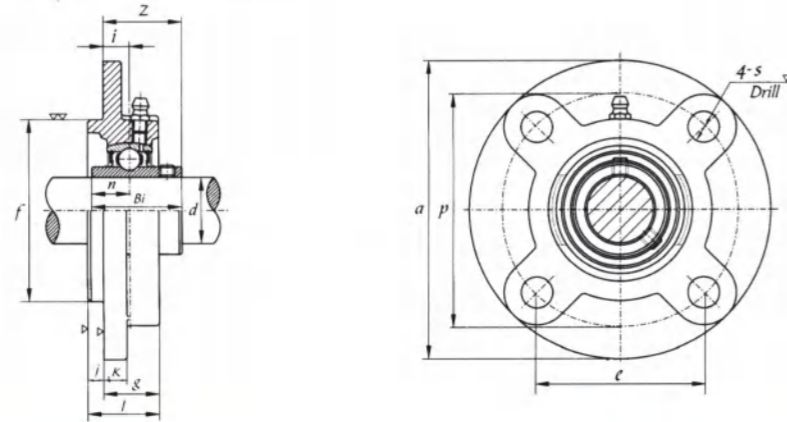


凸台圆形座
Flang Cartridge Units

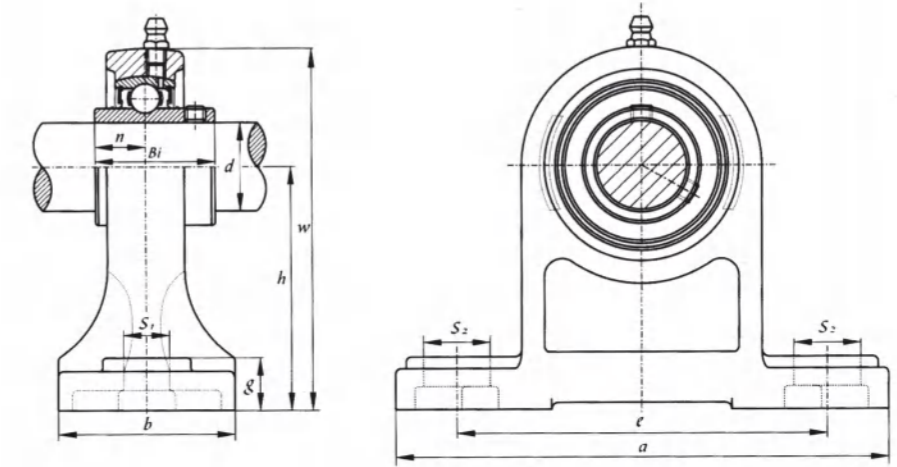
UCFC 200 (normal-duty)



| 带座轴承代号 Bearing Unit No. | 轴径 Shaft Dia. | | 外形尺寸(毫米) Dimensions (mm) | | | | | | | | | | | | | | 螺栓 Bolt Used | | 轴承号 Bearing No. | Housing No. | 重量 Weight (kg) |
|---|------------------------------------|------|-----------------------------|-----|--------|----|------|----|----|----|------|-----|------|------|------|------|-----------------|---|--------------------|-------------|-------------------|
| | (in.) | (mm) | a | p | e | i | l | s | j | k | g | f | z | Bi | n | (mm) | (in.) | | | | |
| UCFC201 201-8 | 1/2 | 12 | 100 | 78 | 55.116 | 10 | 25.5 | 12 | 5 | 7 | 20.5 | 62 | 28.3 | 31.0 | 12.7 | M10 | 3/8 | UC201 201-8 | FC201 | 0.71 | |
| UCFC202 202-10 | 5/8 | 15 | 100 | 78 | 55.1 | 10 | 25.5 | 12 | 5 | 7 | 20.5 | 62 | 28.3 | 31.0 | 12.7 | M10 | 3/8 | UC202 202-10 | FC202 | 0.69 | |
| UCFC203 203-11 | 11/16 | 17 | 100 | 78 | 55.1 | 10 | 25.5 | 12 | 6 | 7 | 20.5 | 62 | 28.3 | 31.0 | 12.7 | M10 | 3/8 | UC203 203-11 | FC203 | 0.68 | |
| UCFC204-12 204 | 3/4 | 20 | 100 | 78 | 55.1 | 10 | 25.5 | 12 | 6 | 7 | 20.5 | 62 | 28.3 | 31.0 | 12.7 | M10 | 3/8 | UC204-12 204 | FC204 | 0.66 | |
| UCFC205-14 205-15 205 205-16 | 7/8 15/16 1 | 25 | 115 | 90 | 63.6 | 10 | 2/7 | 12 | 6 | 7 | 21 | 70 | 29.7 | 34.1 | 14.3 | M10 | 3/8 | UC205-14 205-15 205 205-16 | FC205 | 0.92 | |
| UCFC206-18 206 206-19 206-20 | 1 1/8 1 3/16 1 1/4 | 30 | 125 | 100 | 70.7 | 10 | 31 | 12 | 8 | 8 | 23 | 80 | 32.2 | 38.1 | 15.9 | M10 | 3/8 | UC206-18 206 206-19 206-20 | FC206 | 1.21 | |
| UCFC207-20 207-21 207-22 207 207-23 | 1 1/4 1 5/16 1 3/8 1 7/16 | 35 | 135 | 110 | 77.8 | 11 | 34 | 14 | 8 | 9 | 26 | 90 | 36.4 | 42.9 | 17.5 | M12 | 7/16 | UC207-20 207-21 207-22 207 207-23 | FC207 | 1.50 | |
| UCFC208-24 208-25 208 | 1 1/2 1 9/16 | 40 | 145 | 120 | 84.8 | 11 | 36 | 14 | 10 | 9 | 26 | 100 | 41.2 | 49.2 | 19.0 | M12 | 7/16 | UC208-24 208-25 208 | FC208 | 1.87 | |
| UCFC209-26 209-27 209-28 209 | 1 5/8 1 11/16 1 3/4 | 45 | 160 | 132 | 93.3 | 10 | 38 | 16 | 12 | 14 | 26 | 105 | 40.2 | 49.2 | 19.0 | M14 | 1/2 | UC209-26 209-27 209-28 209 | FC209 | 2.34 | |
| UCFC210-30 210-31 210 | 1 7/8 1 15/16 | 50 | 165 | 138 | 97.6 | 10 | 40 | 16 | 12 | 14 | 28 | 110 | 42.6 | 51.6 | 19.0 | M14 | 1/2 | UC210-30 210-31 210 | FC210 | 2.72 | |
| UCFC211-32 211-34 211 211-35 | 2 2 1/8 2 3/16 | 55 | 185 | 150 | 106.1 | 13 | 43 | 19 | 12 | 15 | 31 | 125 | 46.4 | 55.6 | 22.2 | M16 | 5/8 | UC211-32 211-34 211 211-35 | FC211 | 3.66 | |
| UCFC212-36 212 212-38 212-39 | 2 1/4 2 3/8 2 7/16 | 60 | 195 | 160 | 113.1 | 17 | 48 | 19 | 12 | 15 | 36 | 135 | 56.7 | 65.1 | 25.4 | M16 | 5/8 | UC212-36 212 212-38 212-39 | FC212 | 4.58 | |
| UCFC213-40 213 | 2 1/2 | 65 | 205 | 170 | 120.0 | 16 | 50 | 19 | 14 | 15 | 36 | 145 | 55.7 | 65.1 | 25.4 | M16 | 5/8 | UC213-40 213 | FC213 | 5.07 | |
| UCFC214-44 214 | 2 3/4 | 70 | 215 | 177 | 125.1 | 17 | 54 | 19 | 14 | 18 | 40 | 150 | 61.4 | 74.6 | 30.2 | M16 | 5/8 | UC214-44 214 | FC214 | 6.15 | |
| UCFC215 215-48 | 3 | 75 | 220 | 184 | 130.1 | 18 | 56 | 19 | 16 | 18 | 40 | 160 | 62.5 | 77.8 | 33.3 | M16 | 5/8 | UC215 215-48 | FC215 | 6.79 | |
| UCFC216 | | 80 | 240 | 200 | 141.4 | 18 | 58 | 23 | 16 | 18 | 18 | 170 | 67.3 | 82.6 | 33.3 | M20 | 3/4 | UC216 | FC216 | 8.01 | |
| UCFC217-52 217 | 3 1/4 | 85 | 250 | 208 | 147.1 | 18 | 63 | 23 | 18 | 20 | 45 | 180 | 69.6 | 85.7 | 34.1 | M20 | 3/4 | UC217-52 217 | FC217 | 9.18 | |
| UCFC218-56 218 | 3 1/2 | 90 | 265 | 220 | 155.5 | 22 | 68 | 23 | 18 | 20 | 50 | 190 | 78.3 | 96.0 | 39.7 | M20 | 3/4 | UC218-56 218 | FC218 | 11.3 | |

高中心立式座
Pillow Blocks
(High center height)

UCPH 200 (normal-duty)



| 带座轴承代号 Bearing Unit No. | 轴径 Shaft Dia. | | 外形尺寸(毫米) Dimensions (mm) | | | | | | | | | | | 螺栓 Bolt Used | | 轴承号 Bearing No. | Housing No. | 重量 Weight (kg) |
|---|------------------------------------|------|-----------------------------|-----|-----|----|----------------|----------------|----|-----|------|------|------|-----------------|---|--------------------|-------------|-------------------|
| | (in.) | (mm) | h | a | e | b | s ₂ | s ₁ | g | w | Bi | n | (mm) | (in.) | | | | |
| UCPH201 201-8 | 1/2 | 12 | 70 | 127 | 95 | 40 | 19 | 13 | 15 | 101 | 31.0 | 12.7 | M10 | 3/8 | UC201 201-8 | PH201 | 0.96 | |
| UCPH202 202-10 | 5/8 | 15 | 70 | 127 | 95 | 40 | 19 | 13 | 15 | 101 | 31.0 | 12.7 | M10 | 3/8 | UC202 202-10 | PH202 | 0.96 | |
| UCPH203 203-11 | 11/16 | 17 | 70 | 127 | 95 | 40 | 19 | 13 | 15 | 101 | 31.0 | 12.7 | M10 | 3/8 | UC203 203-11 | PH203 | 0.96 | |
| UCPH204-12 204 | 3/4 | 20 | 70 | 127 | 95 | 40 | 19 | 13 | 15 | 101 | 31.0 | 12.7 | M10 | 3/8 | UC204-12 204 | PH204 | 0.96 | |
| UCPH205-14 205-15 205 205-16 | 7/8 15/16 1 | 25 | 80 | 140 | 105 | 50 | 19 | 13 | 16 | 114 | 34.1 | 14.3 | M10 | 3/8 | UC205-14 205-15 205 205-16 | PH205 | 1.2 | |
| UCPH206-18 206 206-19 206-20 | 1 1/8 1 3/16 1 1/4 | 30 | 90 | 165 | 121 | 50 | 21 | 17 | 18 | 130 | 38.1 | 15.9 | M14 | 1/2 | UC206-18 206 206-19 206-20 | PH206 | 1.6 | |
| UCPH207-20 207-21 207-22 207 207-23 | 1 1/4 1 5/16 1 3/8 1 7/16 | 35 | 95 | 167 | 127 | 60 | 21 | 17 | 18 | 140 | 42.9 | 17.5 | M14 | 1/2 | UC207-20 207-21 207-22 207 207-23 | PH207 | 2.0 | |
| UCPH208-24 208-25 208 | 1 1/2 1 9/16 | 40 | 100 | 184 | 137 | 70 | 21 | 17 | 20 | 150 | 49.2 | 19.0 | M14 | 1/2 | UC208-24 208-25 208 | PH208 | 2.7 | |
| UCPH209-26 209-27 209-28 209 | 1 5/8 1 11/16 1 3/4 | 45 | 105 | 190 | 146 | 70 | 21 | 17 | 20 | 158 | 49.2 | 19.0 | M14 | 1/2 | UC209-26 209-27 209-28 209 | PH209 | 3.0 | |
| UCPH210-30 210-31 210 210-32 | 1 7/8 1 15/16 2 | 50 | 110 | 206 | 159 | 70 | 22 | 20 | 22 | 165 | 51.6 | 19.0 | M16 | 5/8 | UC210-30 210-31 210 210-32 | PH210 | 3.5 | |